

GS220 Series

220 Watt Single Output Models

Mean Well
Desktop Power Supplies

CLICK HERE TO REQUEST
PRICE | DELIVERY | SAMPLE | SUPPORT

Dimensions: 8.27 x 3.35 x 1.81"



FEATURES:

- Universal AC input (90~264 VAC)
- Built-in active PFC function, PF>0.91 @ 230VAC
- No load power consumption<0.5W
- CEC Level V compliant
- Meet EISA 2007(Energy Independence and Security Act)
- ErP(Energy related Product) Step 2 Compliant for Europe
- 3 pole AC inlet IEC320-C14
- Class I Construction (with earth pin)
- Overload / Over voltage / Over temperature Protection Circuits
- LED indicator for power on
- International Safety Approvals
- 2 Year Warranty

INPUT SPECIFICATIONS:

INPUT VOLTAGE	Universal VAC Input (90~264 VAC / 135~370VDC)
INPUT FREQUENCY	47-63Hz
INRUSH	120A @ 230VAC Input Range (Max Cold Start)
INPUT CURRENT	4A @ 115 VAC / 2A @ 230 VAC (Max Continuous)
LEAKAGE	1mA Max @ 240 VAC
HOLD-UP	20ms Minimum (Full Load)
EFFICIENCY	90~94.5%
HARMONICS	EN61000-3-2 Class D Compliant >0.91 PF @ 230 VAC / >0.98 @ 115VAC (Full Load)

OUTPUT SPECIFICATIONS:

MINIMUM LOAD	None Required
LINE REGULATION	±1% Max over entire input range
LOAD REGULATION	±2~5% maximum (depending on output model)
RIPPLE	80~240mV depending on output model (20MHz)
SETPOINT ACCURACY	±2~5% maximum (depending on output model)
OVER CURRENT	105-135% (Hiccup mode, Auto-Recovery)
OVER VOLTAGE PROTECTION	105-135% (Shurdwon, recycle input to reset)

DOWNLOADS:

Soft Copy of this Specification:
<http://www.powergatellc.com/pdfs/GS220.pdf>

Detailed Specification:
<http://www.meanwell.com/search/gs220/GS220-spec.pdf>

ENVIRONMENTAL SPECIFICATIONS:

OPERATING TEMPERATURE	-10 ~ +60°C (Derate 2.5% per °C above 40°C)
STORAGE TEMPERATURE	-20 ~ +85°C
COOLING	Convection Cooled
HUMIDITY	10-95% (non-condensing)
VIBRATION	10-55Hz, 2G, 3Min Period, / 60 min each (3 axes)
SHOCK	20G Peak Acceleration
RELIABILITY	191.3Khrs min. MIL-HDBK-217F(25°C)

EMISSIONS:

EMISSIONS	EN55022 Level B (Conducted)
ELECTROSTATIC DISCHARGE	EN61000-4-2, 4kV Contact / 8kV Air
RADIATED SUSCEPTIBILITY	EN61000-4-3, 26-1000MHz, 10V/M, 80%AM
EFT / BURSTS	EN61000-4-4, 2kV
SURGES	EN61000-4-5, 2kV Earth, 1kV Line-Line
CONDUCTED IMMUNITY	EN61000-4-6, 0.15-800MHz, 10V 80%
VOLTAGE DIPS	EN61000-4-10, 95% Dip & 10ms, 30% Dip & 500ms
VOLTAGE INTERRUPTIONS	EN61000-4-11, 95% reduction, 5ms
FLUCTUATIONS & FLICKER	EN61000-3-3

STANDARDS:

SAFETY	UL60950-1 TUV EN60950-1 BSMI CNS14336 CCC GB4943 approved CE Mark (LVD)
EMISSIONS	CISPR22 / EN55022 class B FCC PART 15 class B CNS13438 class B GB9254 class B

* Specifications are subject to change without notice.

GS220 Series

220 Watt Single Output Models

Mean Well
Desktop Power Supplies

MODELS:

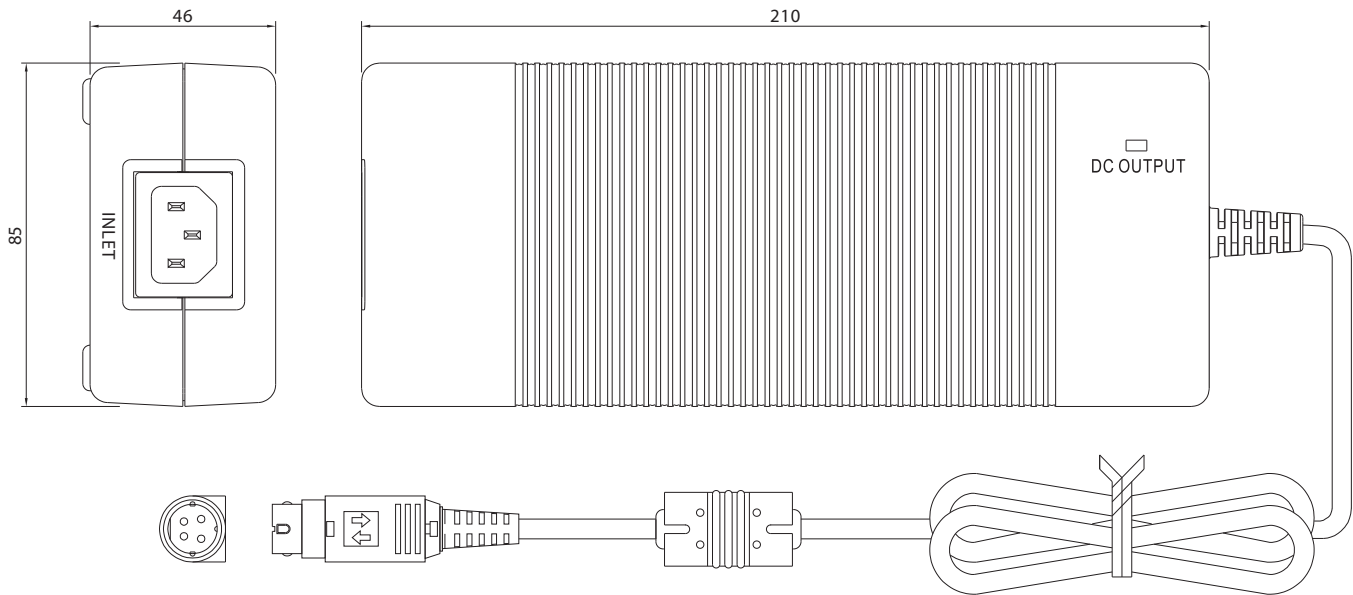
GS220A12-R7B	12V	15A
GS220A15-R7B	15V	13.4A
GS220A20-R7B	20V	11A
GS220A24-R7B	24V	9.2A
GS220A48-R7B	48V	4.6A

NOTE:

NOTES:

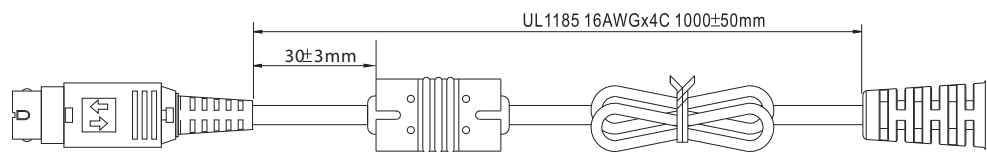
* Consult your salesperson for alternate DC Output connector

MECHANICAL OUTLINE:



Standard plug: R7B (option)

R7B		
PIN NO	OUTPUT	
1,4	+V	
2,3	-V	



* Specifications are subject to change without notice.