

C Series

IEC-320 C14 Inlet Line Filters
1-20 Amp Panel Mount Package



UL File No. LR56661
CSA File No. LR49272
TUV File No. R30001
VDE File No. 51403

Approvals are pending
for 10 & 20 Amp Models



Applications

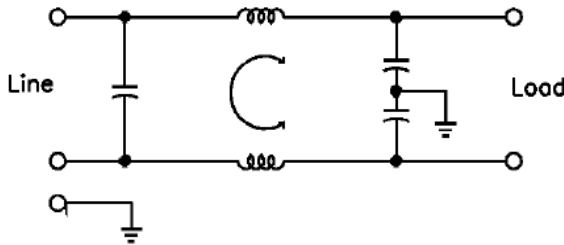
The C series General Performance connector filters offer attenuation of both common and differential noise. The 1, 3, 6, 10 and 20 ampere filters utilize IEC-320 C14 power connectors and provide protection from line-to-line and line-to-ground interference.

These filters are designed for a wide variety of filtering applications. They offer protection from line-to-line and line-to-ground interference.

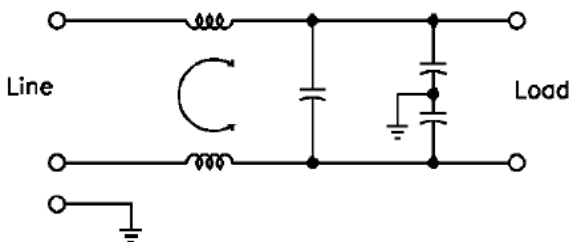
Specifications

Voltage rating:	115/250 VAC
Line frequency:	50/60 Hz
Leakage current: (line-to-ground*)	0.25 mA maximum at 115 V, 60 Hz 0.50 mA maximum at 250 V, 50 Hz
Test voltage:	Line to ground, 2250 VDC Line to line, 1450 VDC

Electrical Schematic (1, 3, 6, 20 Amp Models)



Electrical Schematic (10 Amp Models)



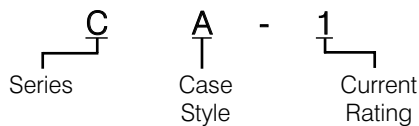
Common Mode

Current Rating	Frequency (MHz)							
	0.15	0.2	0.5	1	5	10	20	30
1 A	22	28	35	40	46	50	50	50 (dB)
3 A	15	20	25	30	45	50	55	55 (dB)
6 A	9	14	20	25	41	45	50	50 (dB)
10 A	10	12	18	23	42	40	40	45 (dB)
20 A	5	8	13	15	23	28	35	43 (dB)

Differential Mode

Current Rating	Frequency (MHz)							
	0.15	0.2	0.5	1	5	10	20	30
1 A	0	0	1	4	33	37	37	36 (dB)
3 A	0	0	1	3	33	37	37	36 (dB)
6 A	0	0	0	1	25	35	35	34 (dB)
10 A	0	0	2	5	35	40	40	36 (dB)
20 A	3	8	15	20	45	35	45	55 (dB)

How to define a part number:



C Series

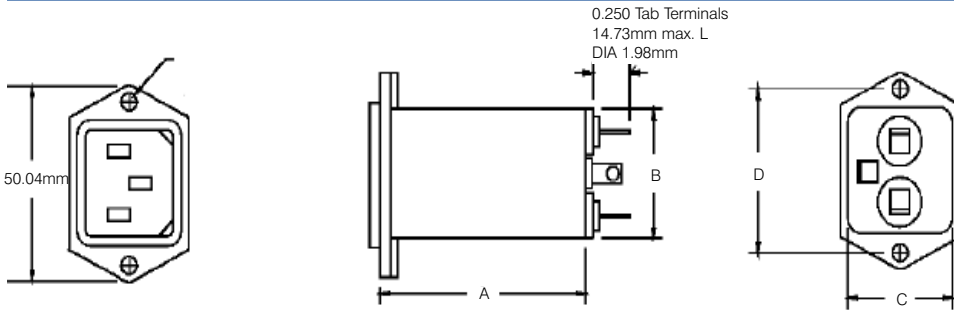
For small solder lug terminations add suffix L; e.g., CA-

Ordering Information

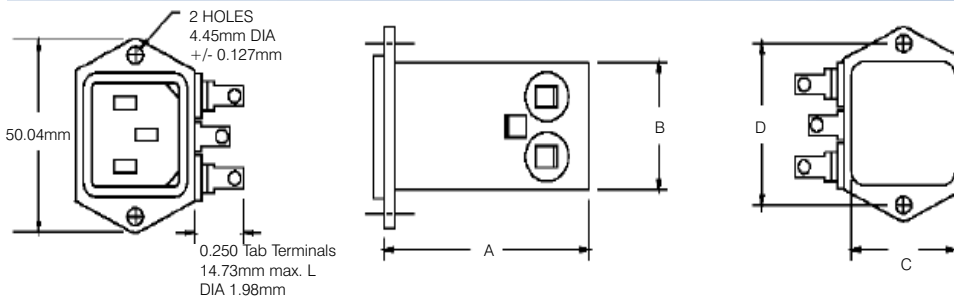
Current Rating	Part Number	Dimensions (mm)			
		A	B	C	D
1A	CA-1	39.37	29.72	20.57	40.00
	CB-1	39.37	29.72	20.57	40.00
3A	CA-3	39.37	29.72	20.57	40.00
	CB-3	39.37	29.72	20.57	40.00
6A	CA-6	39.37	29.72	20.57	40.00
	CB-6	39.37	29.72	20.57	40.00
10A	CA-10	50.8	29.72	20.57	39.88
	CA-10	50.8	29.72	20.57	39.88
20A	CA-20	101.6	35.56	27.94	41.91

For small solder lug terminations add suffix "L"; e.g. CA-1L.
 For 4.25" Wire Leads, add the suffix "W"; e.g. CA-1W
 Contact the factory for other wire lengths or terminations.

CASE STYLE A:



CASE STYLE B:



PANEL CUT-OUT:

